



MPCX50

The fan-free, expandable Core2Duo vehicle computer

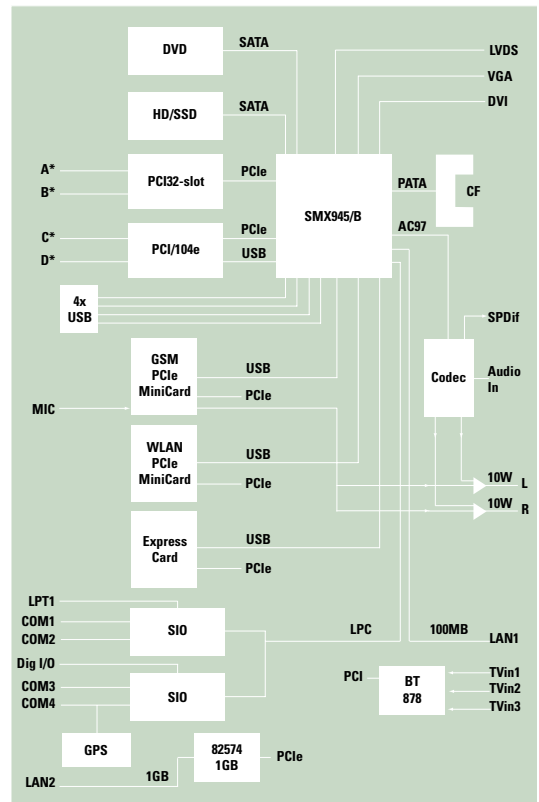
The MPCX50 has many interfaces (COMs, USB, LAN, digital I/O, video input) and is expandable with PCI slots and PC/104express cards (e.g., CAN, measurement cards). For mass storage, a rugged hard disk or SSD drive is built-in. The RTC battery is monitored and service-friendly, being accessible from the front. as slots for CompactFlash and Express cards. The housing is made of rugged chromium steel with integrated passive and fanless cooling. Customer specific functions such as Ring On Wake, GSM Wake, Event Wake Up or Wake On LAN can be realized using FPGA and a microcontroller. By means of a color LCD display and 6 function buttons, various security functions and system information (voltages, temperatures, error reports, POD diagnostics, operating log, RTC battery voltage) can be queried. An external 12V secondary battery can be connected to bridge power failures of the primary feed.

Applications

- _ Integration in cars, busses, trucks (e1 certified)
- _ Passenger entertainment, passenger safety
- _ Expandable, e.g. with 8x COM, 8x LAN
- _ Built in video frame grabber



DIGITAL-LOGIC®, smartModule®, smartCore®Express, MICROSPACE® and MicroDesign are registered trademarks and are property of DIGITAL-LOGIC AG, Switzerland. All other brand names, trademarks and registered trademarks are property of their respective owners. All data is for informational purposes only, is subject to change, and is not guaranteed for legal purposes. Information in this document has been carefully checked and is believed to be accurate. However, no responsibility is assumed for inaccuracies.



*A, B, C, D interfaces depend on the built-in PCI/104e cards or their respective slots

Ordering information

Item	No.	Description
Option MPCR50/R WLAN	807414	MiniCard Intel 4965AGN with antenna cable
Option MPCR50/R GPS	807412	GPS A1080 assembled with antenna cable
Option GSM GPRS/UMTS	807413	MiniCard Expr. assembled, GMS with antenna cable
MPCxx M12 Powerconnector	814690	M12-Plug with 2m cable for DC input 12-48VDC
MPCX50 Mountingkit	814637	
MPCxx M12 Poweradapter	807436	110/220VAC, 90W Supply, with M12 connector (19V)
MPCxxx RTC-Battery Kit	807470	Maintenancekit
MPCxx M12 USB to Std.USB	814691	M12-Plug with 2m cable to Standard USB connector
MPCxx M12 LAN to Std.LAN	814692	M12-Plug with 2m cable to Standard RJ45-LAN
Upgrade 3GB with SMX945B	807406	Upgrade SMX945B with 3GB from the SMX945 with 2GB
Option 32GB SSD	807417	SATA SLC 2.5"-SSD Intel
Downgrade no HD	807377	No HD assembled



Technical data

Type	MPCX50
CPU	Intel® Pentium® Core™2 Duo
Chipset	Intel® 945GM
Memory	2GB (max. 3GB)
Ext. Temp. Hard drive (SATA) - E38	80GB (opt. 32GB SSD)
CF	yes
Video controller	Intel® 945GM
CD/DVD	-
1st video interface	QXGA
2nd video interface	DVI
Resolution	2048 x 1536 (@ 75Hz)
TV input	BT878, 2 channel
Serial interface COM1	DSub 9pol, RS232
Serial interface COM2	DSub 9pol, RS232
Serial interface COM3	DSub 9pol, RS232 (opt. CAN)
Serial interface COM4	DSub 9pol, RS232 (opt. CAN)
Parallel interface	optional
USB V2.0 Standard	2x front
USB V2.0 M12	1x front
LAN Port A (with LAN boot)	10/100BASE-T (RJ45)
LAN Port B	1GB-LAN
Audio controller	AC97-2.3
Audio output	Stereo 2x 20W amplifier
Audio Input	-
Options	WLAN, GSM-UMTS/GPRS CAN, IBIS, GPS
Digital input/output	4x output, 4x opto input
Remote power on/off	yes (ignition)
DC voltage input (not isolated), V1248	8-58VDC, 35W
DC voltage input (1.5kV isolated), lxx	24/36/48/72/110VDC/typ.35W
AC power supply	-
Expansion	2x PCIexpress MiniCard, 2x PCI/104express slot 1x ExpressCard
Power save function	Suspend/Resume, SoftOff, Instant On
Conformity	CE, FCC, e1
Protection class	IP40
Size (W x L x H in mm)	320 x 132 x 250
Weight	5 kg
Housing	Chromium steel
Colour	chrome
Noise level	<20dB(A)
Operating temperature (with HD)	-20°C bis +50°C
Extended operating temperature (with SSD)	-40°C bis +70°C (SSD, no HD)
Vibration/shock incl. HD/CD/DVD	1/10G
Vibration/shock incl. SSD	10G/150G
MTBF	60'000h
For operating systems	Vista, WIN XP, LINUX
Part no. MPCX50-V1248	814630

Manufacturer:

DIGITAL-LOGIC
smart embedded computers

DIGITAL-LOGIC | Nordstrasse 11/F | CH-4542 | Luterbach / Switzerland
Phone +41 (0)32 681 58 00 | Fax +41 (0)32 681 58 01
sales@digitallogic.com | www.digitallogic.com

Distribution: