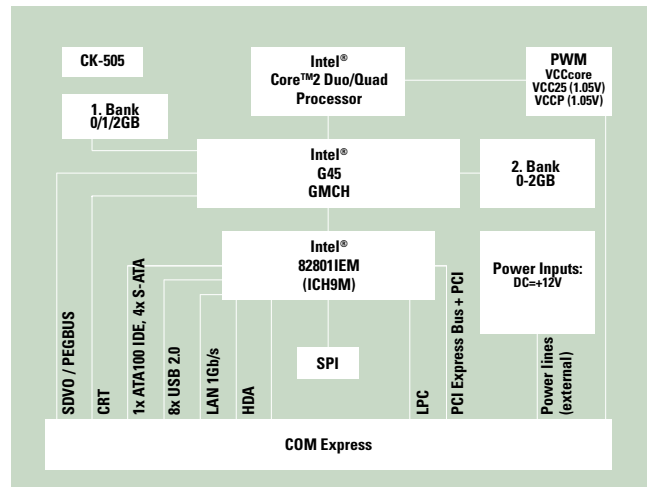




Passive cooler
Part no. 805370



Active cooler
Part no. 805371



SMXG45 COM Express

Description

The smartModule SMXG45 is based on the Intel® Core™ 2 Extreme Processor with up to 4x 2.5GHz. The SMX-G45 has 1 slot for DDR2RAM-modules and selectively 0/1/2GB soldered-on DDR2 memory (max. 4GB RAM). The product is characterized by an efficient thermal interface and large number of interfaces. The copper core conveys, with negligible loss, the thermal output to the heat dissipator and housing. The robust, flat-ground housing protects the computer from vibrations and holds the SODIMM RAM module firmly in the base. The SMXG45 is the smallest Core™2 Quad computer with 4GB-RAM and fits, for example, on a PC/104 board.

Applications

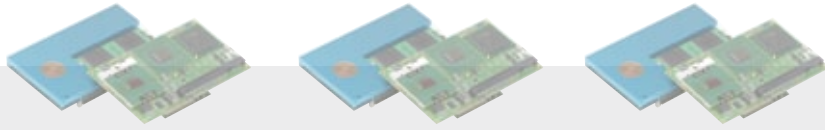
- _ Networked interactive multimedia applications
- _ Dual screen applications
- _ Picture recognition
- _ Measurement engineering
- _ Media center, extender

Ordering information (Option/accessories)

Article	No.	Description
SODIMM DDR2	890678	1GB 667M G45
SODIMM DDR2	890679	2GB 667M G45
SMX-CON8	807138	Connector 220pin, h=8mm, 2 needed, packsize=90
SMX9/G45 passive cooler	805370	incl. assemblymat.
SMX9/G45 active cooler	805371	incl. assemblymat.
SMXG45-DK	805650	SMXG45 DevelopmentKit without SMXG45 and RAM, HD, CD, Doc's, Cables, PS, w.passive + active cooler

*

Soldered RAM	SODIMM RAM	Total Capacity
2GB	0GB	2GB
2GB	1GB	3GB
2GB	2GB	4GB + opt. Performance
1GB	0GB	1GB
1GB	1GB	2GB + opt. Performance
1GB	2GB	3GB
0GB	0GB	0GB
0GB	1GB	1GB
0GB	2GB	2GB



Technical data***

Type	SMXG45-1GB	SMXG45-2GB	SMXG45-0GB
CPU	Intel® Core™ 2 Duo/Quad	Intel® Core™ 2 Duo/Quad	Intel® Core™ 2 Duo/Quad
ISA-BUS	-	-	-
PCI-BUS	32bit	32bit	32bit
PCI Express-BUS	5x 1 lane	5x 1 lane	5x 1 lane
2 nd Level cache (MB)**	6/12	6/12	6/12
Performance (GHz)**	2x 1.9GHz/4x 2.5GHz	2x 1.9GHz/4x 2.5GHz	2x 1.9GHz/4x 2.5GHz
DRAM (GB) soldered	1GB soldered	2GB soldered	-
DRAM SODIMM min-max*	0-2GB	0-2GB	1-2GB
Keyboard, mouse (PS/2)	ext. SIO	ext. SIO	ext. SIO
Boot drive	FD, HD, USB, LAN	FD, HD, USB, LAN	FD, HD, USB, LAN
Floppy interface	ext. SIO	ext. SIO	ext. SIO
IDE interface P-ATA (from USB9)	1x	1x	1x
IDE interface S-ATA (300Mbit/s)	4x	4x	4x
COM1	ext. SIO	ext. SIO	ext. SIO
COM2	ext. SIO	ext. SIO	ext. SIO
COM3	-	-	-
COM4	-	-	-
LPT1	ext. SIO	ext. SIO	ext. SIO
USB (2.0)	8x	8x	8x
LAN port 1 (ext. transformer)	1GE	1GE	1GE
LAN port 2	-	-	-
Audio	HDA, 192kHz	HDA, 192kHz	HDA, 192kHz
Video controller	Intel®-Gfx	Intel®-Gfx	Intel®-Gfx
Video memory (MB)	up to 512MB (UMA)	up to 512MB (UMA)	up to 512MB (UMA)
LCD interface	ext. 18bit LVDS	ext. 18bit LVDS	ext. 18bit LVDS
DVI interface	ext. 2x SDVO	ext. 2x SDVO	ext. 2x SDVO
CRT interface	yes	yes	yes
AMT 4.0	yes	yes	yes
Watchdog	yes	yes	yes
Power normal (typ.)**	25-60W, 12V	25-60W, 12V	25-60W, 12V
Power suspend (typ.)	0.1W	0.1W	0.1W
Power management	yes, SpeedStep	yes, SpeedStep	yes, SpeedStep
RTC battery onboard	external	external	external
Cooling type	passive/active	passive/active	passive/active
Operating temperature	-25°C to +60°C	-25°C to +60°C	-25°C to +60°C
Extended operating temperature	tbd	tbd	tbd
Size (W x L x H in mm)	117 x 70 x 18	117 x 70 x 18	117 x 70 x 18
Weight	180 g	180 g	180 g
MTBF	>200'000h	>200'000h	>200'000h
Special features 1	AMT 4.0	AMT 4.0	AMT 4.0
Special features 2	-	-	-
Special features 3	-	-	-
Part no. (without DDR2RAM-module)	┘	┘	┘

**CPUs

Article	Description	No.	No.	No.
SMXG45-xGB-SL9400	smartModule Express 1.86GHz 17W	805610	805620 (not from stock)	805600
SMXG45-xGB-OX9300	smartModule Express 4x 2.5GHz 45W	805611	805621 (not from stock)	805601

Manufacturer:

***As this product is still in development, changes to the technical data are possible.

DIGITAL-LOGIC
smart embedded computers

DIGITAL-LOGIC | Nordstrasse 11/F | CH-4542 | Luterbach / Switzerland

Phone +41 (0)32 681 58 00 | Fax +41 (0)32 681 58 01

sales@digitallogic.com | www.digitallogic.com

Distribution: