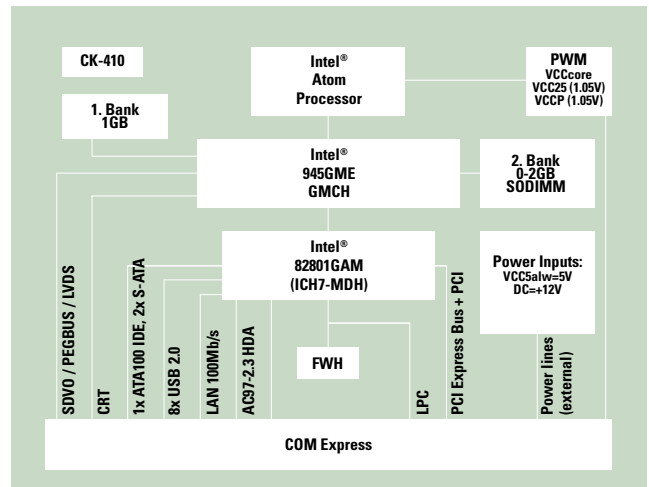


Passive cooler  
Part no. 805370



# SMX945B-N270

## Description

The smartModule SMX945B-xxx is based on the Intel® Atom™ CPU with a clock speed of 1600MHz. The SMX945B has 1GB of soldered-on memory (DDR2) and a SODIMM holder for maximum 2GB memory (for a maximum total of 3GB RAM). The product is characterized by an efficient thermal interface and large number of interfaces. The copper core conveys, with negligible loss, the thermal output to the heat dissipator and housing. The robust, flat-ground housing protects the computer from vibrations and holds the SODIMM RAM module firmly in the base.

## Applications

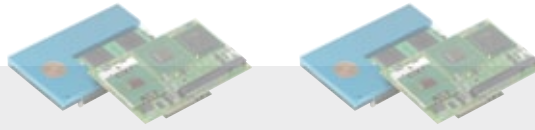
- \_ Networked interactive multimedia applications
- \_ Dual screen applications
- \_ Picture recognition
- \_ Measurement engineering
- \_ Media center, extender

## Ordering information (Option/accessories)

Article	No.	Description
SODIMM DDR2 512MB	890675	200pin, 533MHz, noECC
SODIMM DDR2 1GB	890676	200pin, 533MHz, noECC
SODIMM DDR2 2GB	890677	200pin, 533MHz, noECC
SMX-CON8	807138	Connector 220pin, h=8mm, 2 needed, packsize=90
SMX945-DK	805390	SMX945 DevelopmentKit without SMX945 and RAM, HD, CD, Doc's, Cables, PS, w.passive & active cooler
SMX9/G45 passive cooler	805370	incl. assemblymat.
SMX9/G45 active cooler	805371	incl. assemblymat.

\*

Onboard RAM	SODIMM	Total Capacity
1GB	0GB	1GB
1GB	0.5GB	1.5GB
1GB	1GB	2GB + opt. Performance
1GB	2GB	3GB



## Technical data\*\*\*

Type	SMX945B-N270	SMX945B-N270-1GB
CPU	Intel® Atom N270	Intel® Atom N270
ISA-BUS	-	-
PCI-BUS	32bit	32bit
PCI Express-BUS	6x 1 lane	6x 1 lane
2 <sup>nd</sup> Level cache (kB)	512	512
Performance (MHz)	1600	1600
DRAM (GB) soldered	0GB	1GB
DRAM SODIMM min-max*	1-2GB	0-2GB
Keyboard, mouse (PS/2)	ext. SIO	ext. SIO
Boot drive	FD, HD, USB, LAN	FD, HD, USB, LAN
Floppy interface	ext. SIO	ext. SIO
IDE interface P-ATA	1x	1x
IDE interface S-ATA (300Mbit/s)	2x (sw RAID)	2x (sw RAID)
COM1	ext. SIO	ext. SIO
COM2	ext. SIO	ext. SIO
COM3	-	-
COM4	-	-
LPT1	ext. SIO	ext. SIO
USB (2.0)	8x	8x
LAN port 1 (ext. transformer)	10/100BASE-T	10/100BASE-T
LAN port 2	-	-
Audio	HDA-7.1, 192kHz	HDA-7.1, 192kHz
Video controller	i945GME	i945GME
Video memory (MB)	8-224 (UMA)	8-224 (UMA)
LCD interface	ext. 18bit LVDS	ext. 18bit LVDS
DVI interface	ext. 2x SDVO	ext. 2x SDVO
CRT interface	yes	yes
AMT 4.0	-	-
Watchdog	yes	yes
Power normal (typ.)	10W	10W
Power suspend (typ.)	0.1W	0.1W
Power management	yes	yes
RTC battery onboard	external	external
Cooling type	passive	passive
Operating temperature	-25°C to +60°C	-25°C to +60°C
Extended operating temperature (E47)	-40°C to +70°C	-40°C to +70°C
Size (W x L x H in mm)	117 x 70 x 18	117 x 70 x 18
Weight	180 g	180 g
MTBF	>200'000h	>200'000h
Special features 1	-	-
Special features 2	-	-
Special features 3	-	-
Part no. (without DDR2RAM-module)	805470	805472

\*\*\*As this product is still in development, changes to the technical data are possible.

Manufacturer:

**DIGITAL-LOGIC**  
smart embedded computers

DIGITAL-LOGIC | Nordstrasse 11/F | CH-4542 | Luterbach / Switzerland  
Phone +41 (0)32 681 58 00 | Fax +41 (0)32 681 58 01  
sales@digitallogic.com | www.digitallogic.com

Distribution: