



12.1"

10.4"

8.4"

6.5"



DV monitor 8.4" T



DV monitor 12"-T with spherical head, aluminium bracket Part no. 814456



Part no. 814452



Part no. 814450



Part no. 814458



Part no. 814460



Part no. 814467



Part no. 814468

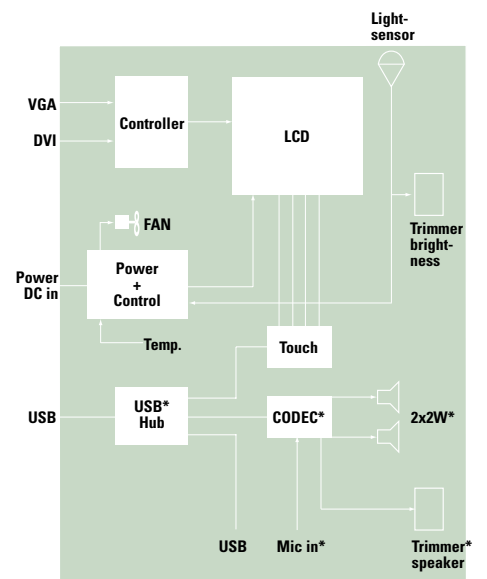
VEHICLE MONITORS

The DV monitor is a universally deployable LCD monitor for mobile and vehicle applications

It is becoming increasingly important in the public sector to have up-to-date information. Images and films with audio are presented on plasma or LCD displays using computers. Displays and computers are subjected to considerable temperature fluctuations and dust in locations that are difficult to access, often on walls or ceilings in buildings or outdoors.

Applications

- _ Display computers for control terminals
- _ Advertising display systems
- _ In-vehicle installation



*Option 814454

Ordering information

Item	No.	Description
DV monitor 6.5-T	814406	6.5" LCD with DVI touch screen, VGA, USB interface, power supply 8V-28V
DV monitor 8.4-T	814408	8.4 LCD with DVI touch screen, VGA, USB interface, power supply 8V-33V
DV monitor 10.4-T	814410	10.4" LCD, LED backlight with DVI touch screen, VGA, USB interface, power supply 8V- 33V
DV monitor 12-T	814412	12" LCD with DVI touch screen, VGA, USB interface, power supply 8V-33V
DV bracket	814450	Spherical head bracket with prism bracket for VESA base
DV VESA base	814452	VESA installation base with retaining prism
DV bracket 2109	814456	Spherical head aluminium bracket with height adjustable VESA base (pic.)
DV bracket 2105	814458	Standard spherical head bracket with height adjustable VESA base
DV bracket 1022	814460	Heavy duty monitor bracket with metal spherical head and clamp foot
DV bracket 1301	814467	Stationary stand with suction cup bracket
DV bracket 1300	814468	Stationary stand with star handle
DVI cable 2M	814462	DVI cable, 2 metres
DVI cable 3M	814463	DVI cable, 3 metres
DVI cable 5M	814465	DVI cable, 5 metres
Option-USB-Sound	814454	USB hub plus USB sound for 8.4"-12.1" DV monitors incl. 2x 2W speakers
Option HHDV12	814451	Handhold for DV-12-T
Option SLT8.4"	814453	Sunlight readable touchscreen for 8.4"

Technical data DV monitor 12.1" - T

Display	12.1" LCD TFT monitor, LED backlight
Resolution	1024 x 768 XGA, 262k colours
Brightness	1000 cd/m2 adjustable (Poti, Sensor)
Contrast	800 : 1
Touchscreen	Analog resistive
Video input	VGA-CRT, DVI
Touch output	USB, option: USB hub + sound
Power supply	8-33VDC, protected, 27W
Cabling	3 separate single cables (Video, DC, USB)
Dimensions, weight:	292 x 232 x 43mm, 1.7kg
Colour	Black, aluminium casing
Attachment/installation	VESA standard 75 x 75mm, M4
Operating temperature	-20°C bis +60°C, IP30, e1

Technical data DV monitor 6.5" - T

Display	6.5" LCD TFT monitor (2x CCFL)
Resolution	640 x 480 VGA
Brightness	600 cd/m2 adjustable (Poti, Sensor)
Contrast	600 : 1
Touchscreen	Analog resistive
Video input	VGA-CRT
Touch output	USB
Power supply	8-28VDC, protected
Cabling	3 separate single cables (Video, DC, USB)
Dimensions, weight:	207 x 151 x 35mm
Colour	Black, aluminium casing
Attachment/installation	VESA standard 75 x 75mm, M4
Operating temperature	-10°C to +70°C, IP30, e1

DV monitor 8.4" - T

Display	8.4" LCD TFT monitor (2x CCFL)
Resolution	800 x 600, SVGA
Brightness	650 cd/m2 adjustable (Poti, Sensor)
Contrast	600 : 1
Touchscreen	Analog resistive
Video input	VGA-CRT, DVI
Touch output	USB, option: USB hub + sound
Power supply	8-33VDC, protected, 11W
Cabling	3 separate single cables (Video, DC, USB)
Dimensions, weight:	218 x 182 x 39mm, 1kg
Colour	Black, aluminium casing
Attachment/installation	VESA standard 75 x 75mm, M4
Operating temperature	-10°C to +70°C, IP30, e1

DV monitor 10.4" - T

Display	10.4" LCD TFT monitor, LED backlight
Resolution	1024 x 768, XGA, 16Mio. colors
Brightness	1000 cd/m2 adjustable (Poti, Sensor)
Contrast	800 : 1
Touch sceen	Analog resistive
Video input	VGA-CRT, DVI
Touch outout	USB, option: USB hub + sound
Power supply	8-33VDC, protected, 27W
Cabling	3 separate single cables (Video, DC, USB)
Dimensions, weight:	250 x 201 x 43mm, 1.3kg
Colour	Black, aluminium casing
Attachment/installation	VESA standard 75 x 75mm, M4
Operating temperature	-10°C to +60°C, IP30, e1

Manufacturer:

DIGITAL-LOGIC
smart embedded computers

DIGITAL-LOGIC | Nordstrasse 11/F | CH-4542 | Luterbach / Switzerland
Phone +41 (0)32 681 58 00 | Fax +41 (0)32 681 58 01
sales@digitallogic.com | www.digitallogic.com

Distribution: